



DMC810GL

Multipurpose Controller

Combining leading edge and signal dimming control

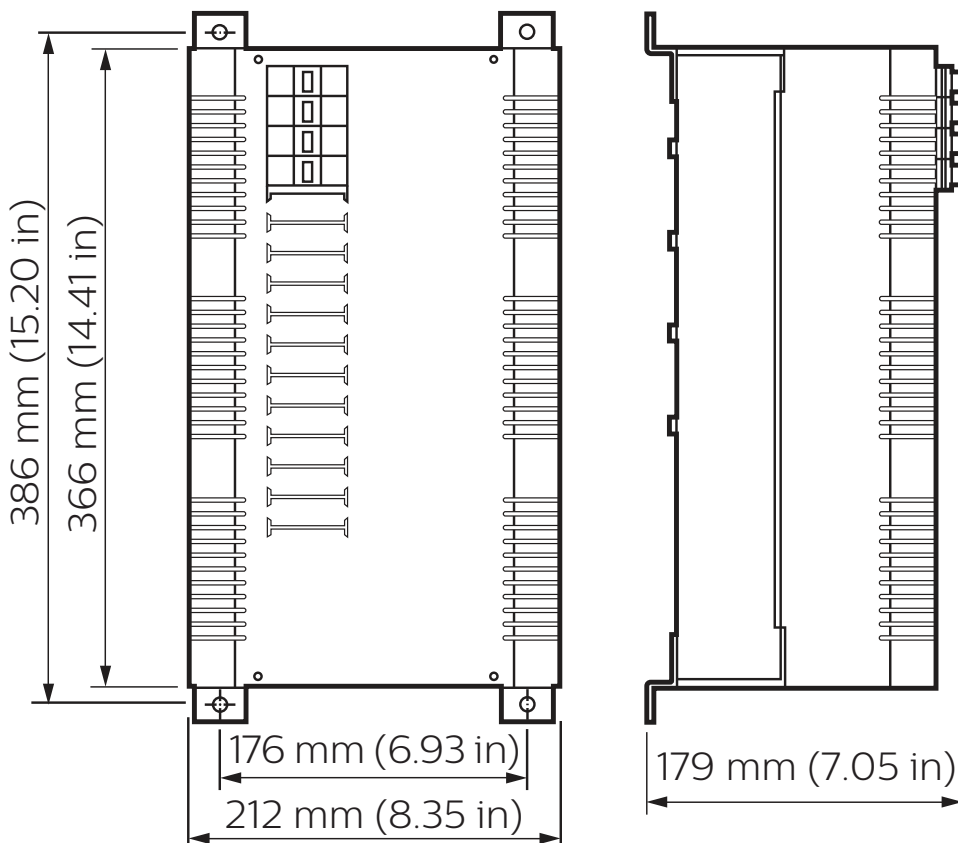
The Philips Dynalite DMC810GL is an 8-channel controller that provides a combination of control technologies. The ability to control mixed load types from one device provides savings in initial capital costs, installation costs and a reduction in ongoing maintenance.

DMC810GL

Combining leading edge and signal dimming control

- **Four channels for control of dimmable loads** – Leading edge phase control for use with incandescent, neon, leading edge electronic and iron core transformers.
- **Four signal control outputs** – Selectable to 1-10 VDC, DSI and DALI broadcast for control of lamp drivers.
- **Four switched outputs** – Signal control outputs can operate in tandem with, or separately from, switched outputs.
- **Interference suppression** – Iron powder core toroidal choke lessens effects of interference from other equipment, such as transformers.
- **Naturally ventilated** – Requires no forced cooling or maintenance.
- **Diagnostic functionality** – Device Online/Offline status reporting.
- **User controls** – Incorporates service override switch – all channels to 100% and a diagnostic LED.
- **Options available** – Including an additional RS-485 DyNet/DMX512 port or earth leakage and overload protection on each channel.

Dimensions



Specifications

Due to continuous improvements and innovations, specifications may change without notice.



DMC810GL
Multipurpose Controller

Electrical

Supply Type	Single phase
Supply Voltage	230 VAC ±14%
Supply Current	40 A
Outputs	4 x leading edge dimming 4 x switched
Overload Protection	4 x 10 A single-pole thermal magnetic (6 kA surge)
Regulating Device	Triac (40 A nominal, 600 V, 400 A surge)
Interference Suppression	Iron powder toroidal choke
DyNet Load Voltage	12 VDC
DyNet Load Current	200 mA
Overvoltage Category	III

Control

Serial Ports	1 x RS-485
Supported Protocols	DyNet DMX Rx
DMX Rx Channels	8
Control Channel Outputs	4 x signal dimming control (DALI Broadcast, DSI, 1-10V)
User Controls	1 x service switch 8 x DyNet address DIP switch
Indicators	1 x service LED

Physical

Dimensions (H x W x D)	386 x 212 x 179 mm (15.20 x 8.35 x 7.05 in)
Packed Weight	7.50 kg (16.53 lb)
Construction	Alloy / Steel wall-mount case Powder coat finish
Serial Ports	1 x RJ12 1 x 6-way pluggable screw terminal
Serial Port Conductor Size	2.5 mm ² (#12 AWG) (max)
Supply Terminals	2 x screw terminal Line, Neutral
Supply Terminal Conductor Size	10 mm ² (#6 AWG) (max)
Phase Control Terminals	16 x screw terminal
Phase Control Terminal Conductor Size	5 mm ² (#10 AWG) (max)
Signal Dimming Terminals	8 x screw terminal
Signal Dimming Terminal Conductor Size	2.5 mm ² (#12 AWG) (max)
Earth Bar Terminals	5 x screw terminal
Earth Bar Conductor Size	16 mm ² (#6 AWG) (max)

Environment

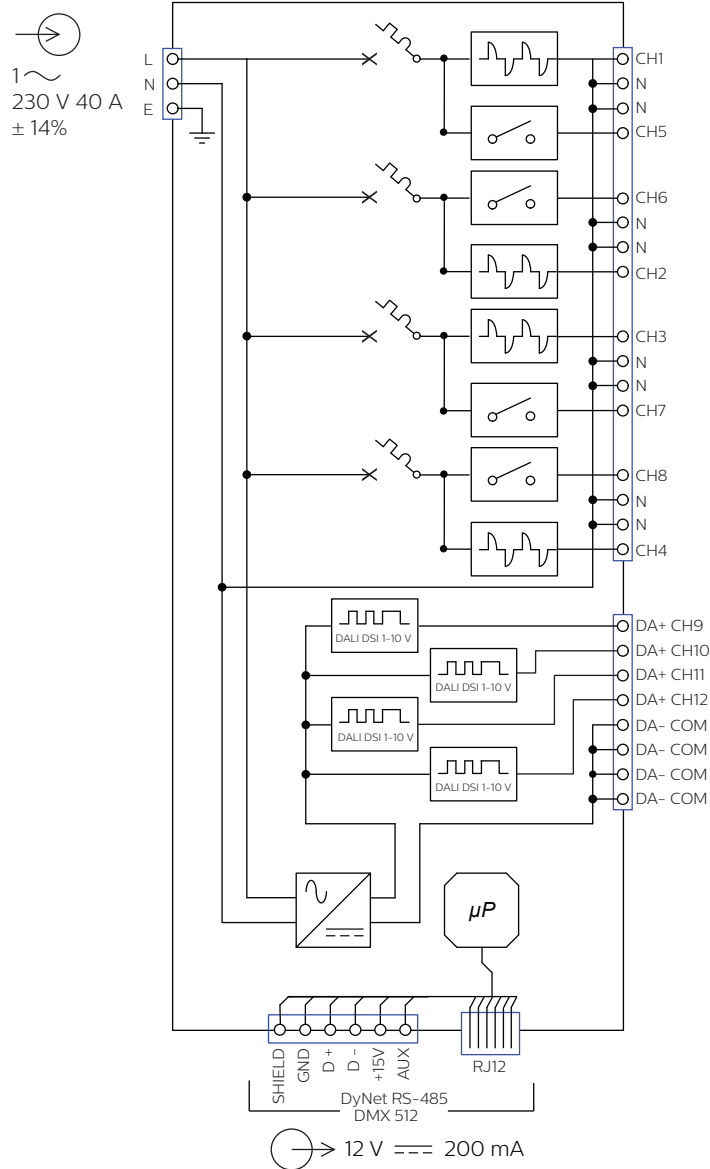
Operating Temperature	0° to 40°C ambient (32° to 104°F)
Storage/Transport Temperature	-25° to 70°C ambient (-13° to 158°F)
Humidity	0 to 90% non-condensing
IEC Pollution Degree	II

Compliance

Certification	CE, RCM, RoHS
---------------	---------------



Electrical



Control Channel Ratings

DALI/DSI	Channel	Device
Output Voltage	12 VDC	
Guaranteed Current	128 mA	
Maximum Current	250 mA	
Maximum Drivers	64	200
Insulation	Basic	
1-10 V	Channel	
Current	sink 50 mA	source 50 mA

Output Channel Ratings

Load Type	Maximum Rating per Output				
	CH5-CH8				
General Use	10 A, 240 VAC				
Incandescent	5 A, 240 VAC				
Magnetic with Halogen	2 A, 240 VAC				
Electronic Driver	3 A, 240 VAC				
Inrush Current	165 A				
Maximum Group Load	CH1 & CH5	CH2 & CH6	CH3 & CH7	CH4 & CH8	DEVICE
	10 A	10 A	10 A	10 A	40 A

Ordering Code

Product

DMC810GL	
DMC810GL-A (Extra DyNet/DMX port)	
DMC810GL-RCBO (Earth leakage/overload protection on each channel)	
DMC810GL-A-RCBO (Dual port and RCBO)	

Philips 12NC

913703028009
913703028709
913703028509
913703028909



© 2018 Signify Holding. All rights reserved. Specifications are subject to change without notice. No representation or warranty as to the accuracy or completeness of the information included herein is given and any liability for any action in reliance thereon is disclaimed. Philips and the Philips Shield Emblem are registered trademarks of Koninklijke Philips N.V. All other trademarks are owned by Signify Holding or their respective owners.